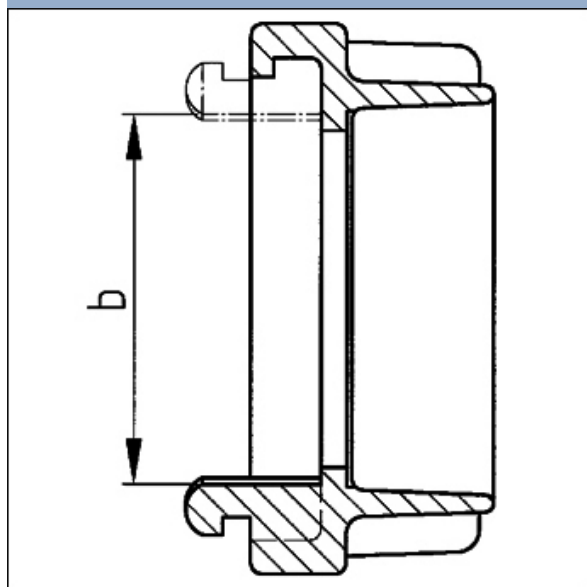


- Aluminium alloys (A)
- Copper alloys (C)
- High grade steel (St)

### Clamp fittings for hose couplings Storz System



1700

Nominal size	Lug spacing b (mm)	Weight (kg)	Ident-No.	Remarks	Alloy
25=D	31	0,060	30170431	DIN 14 301	A
25=D	31	0,070	30244633	with locking device	A
38	51	0,125	30166831		A
52=C	66	0,200	30006831	DIN 14 302	A
52=C	66	0,200	30244733	with locking device	A
65	81	0,265	30053931	NEN 33 74	A
65	81	0,290	30313733	with locking device	A
75=B	89	0,290	30006131	DIN 14 303	A
75=B	89	0,350	30313833	with locking device	A
100	115	0,595	30051531		A
100	115	0,620	40442333	with locking device	A
110=A	133	0,765	30008631	DIN 14 323	A
110=A	133	0,800	30287133	with locking device	A
125	148	0,925	30111331		A
125	148	0,940	40442233	with locking device	A
150	160	1,395	30171231	with 3 lugs	A
150	160	1,400	30314233	3 lugs, with locking device	A

Other sizes and materials on request.

