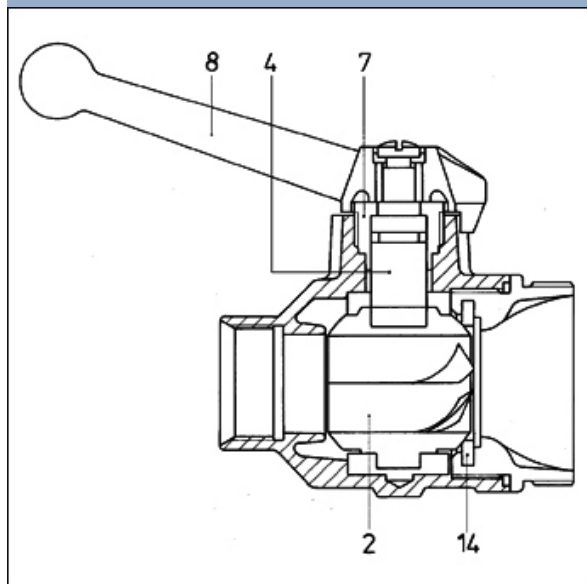
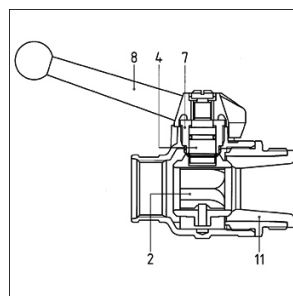


Style 4002 - 4065

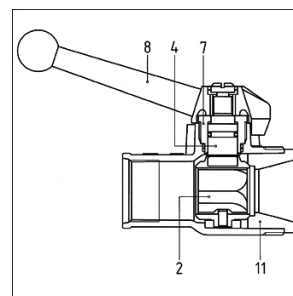
Nozzle tips



Type 78



Type 91



Type 91-2

Description Size	Pos. No.	Pieces per bag	Weight (kg)	Ident.No.	Remarks
D 3/4, BSP F. Tip diam. 6x4 mm		1	0,020	40237759	Polyamid
D 3/4, BSP F. Tip diam. 6x4 mm		1	0,035	50128231	
C 1, BSP F. Tip diam. 12x9 mm		1	0,035	40339659	Polyamid
C 1, BSP F. Tip diam. 12x9 mm		1	0,090	50056732	
C 1, BSP F. Tip diam. 12x9 mm		1	0,240	50256891	
C 1, BSP F. Tip diam. 16x12 mm		1	0,060	50283432	
C 1, BSP F. Tip diam. 16x12 mm		1	0,300	50260691	
C 1, BSP F. Tip diam. 19x16 mm		1	0,350	50288691	
C 1, BSP F. Tip diam. 22x19 mm		1	0,600	50349391	
B 1 1/2, BSP F. Tip diam. 22x16 mm		1	0,170	50092032	