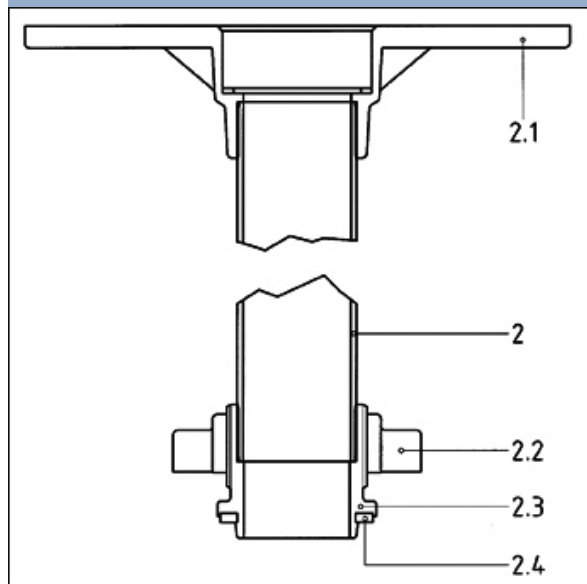


Standpipe lower sections

Style 2000 - 2101

Standpipe feet 1



Description Size	Pcs. No.	Pieces per bag	Weight (kg)	Ident-No.	Remarks
DN 50 G 2	1	0,550	40263933		
DN 50 G 2	1	1,500	40264193		
DN 50 M 65 x 1,5 IG	1	0,900	40267033		3 parts
DN 80 G 2	1	0,800	40262833		
DN 80 G 2	1	2,500	40262893		
DN 80 W 72 x 1/14" IG	1	0,695	40262533		
DN 80 W 72 x 1/14" IG	1	2,200	40262593		
DN 100 W 72 x 1/14" IG	1	3,500	60266633		Alu + brass

As per: 01.04.2010