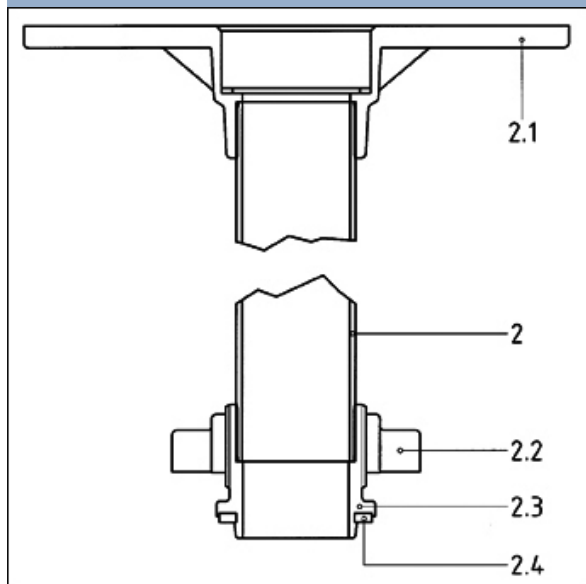


Style 2000 - 2101

Seals for standpipe feet



Description Size	Pos. No.	Pieces per bag	Weight (kg)	Ident-No.	Remarks
DN 50 (54 x 77 x 5)	2.4	20	0,330	60219150	
DN 80 (72 x 92 x 5)	2.4	20	0,385	60219050	
DN 100 (106 x 132 x 5)	2.4	5	0,920	60294350	