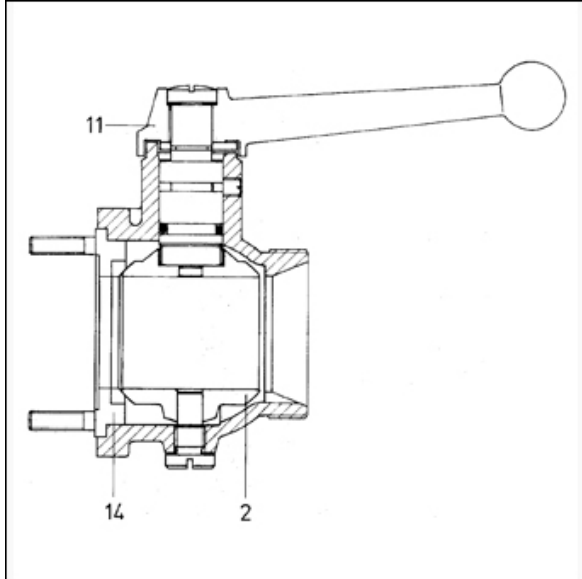


Style 6100 - 6103

DN 100



Description Size	Pos. No.	Pieces per bag	Weight (kg)	Ident.No.	Remarks
Individual components					
Ball	2	1	5,460		
Handle	11	1	1,150		SW 24 x 320 GTW
Seals					
Preformed ball seal	14	1	0,040		
Kit complete		1	0,105		