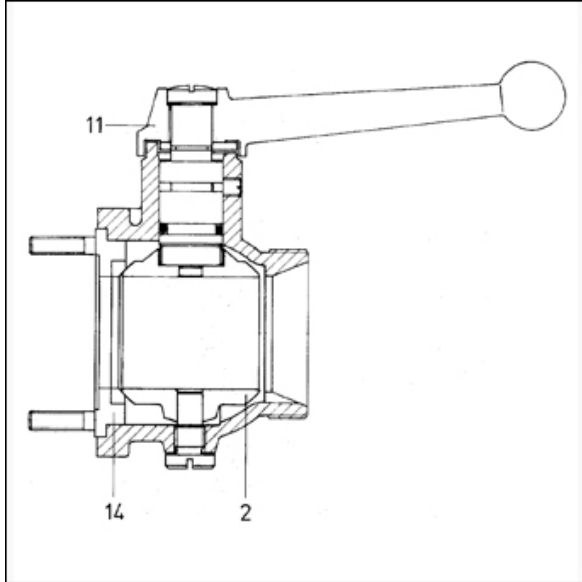


Ball valves with square flanges or thread

Style 6100 - 6103

DN 80



Description Size	Pos. No.	Pieces per bag	Weight (kg)	Ident.No.	Remarks
Individual components					
Ball	2	1	3,750		
Handle	11	1	0,340		SW 22 x 250
Seals					
Flat seal	14	1	0,040		
Seal kit complete		1	0,350		