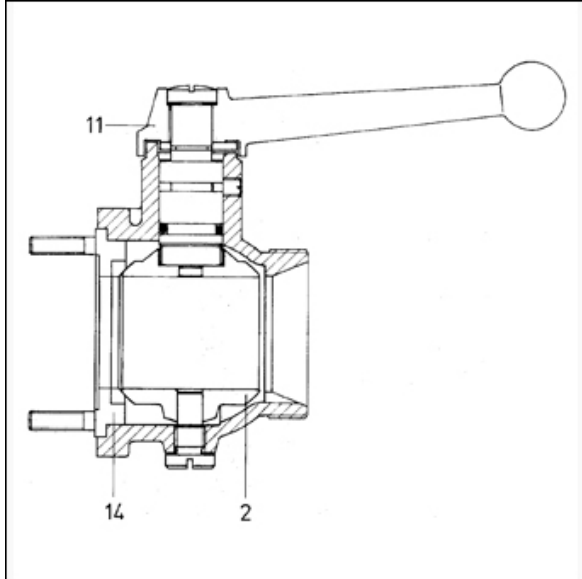


Style 6100 - 6103

DN 65



Description	Size	Pcs. No.	Pieces per bag	Weight (kg)	Ident.No.	Remarks
Individual components						
Ball		2	1	0,700		
Handle		11	1	0,340		SW 22 x 225
Seals						
Preformed seal		14	1	0,250		
Kit complete			1	0,340		