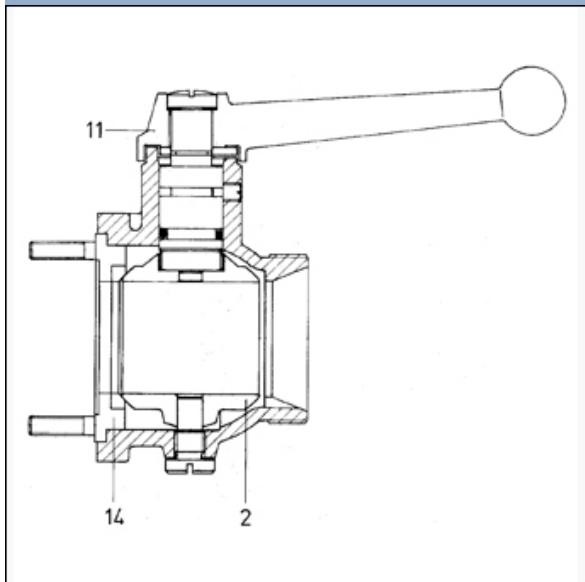


Style 6100 - 6103

DN 50



Description Size	Pos. No.	Pieces per bag	Weight (kg)	Ident-No.	Remarks
<b>Individual components</b>					
Ball	2	1	0,100		
Ball	2	1	0,950		
Handle	11	1	0,180		SW 17 x 150
Handle	11	1	0,210		SW 17 x 200
<b>Seals</b>					
Preformed ball seal	14	1	0,070		
Kit complete		1	0,150		
Kit complete		1	0,100		Style 6102