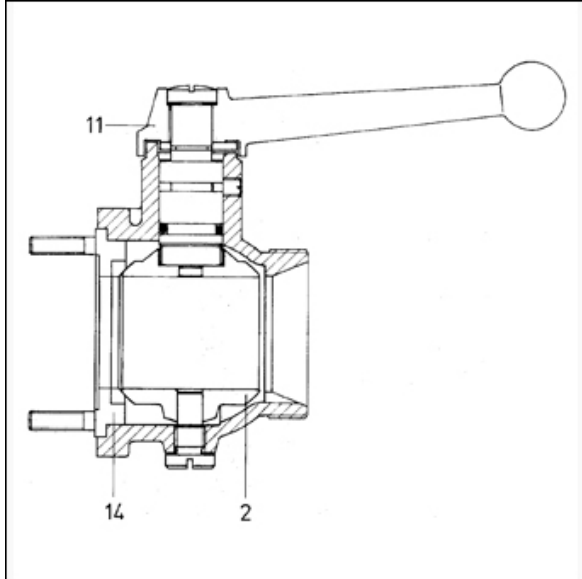


Style 6100 - 6103

DN 32



Description Size	Pcs. No.	Pieces per bag	Weight (kg)	Ident-No.	Remarks
<b>Individual components</b>					
Ball	2	1	0,120		
Ball	2	1	0,390		
Handle	11	1	0,160		SW 12 x 140
<b>Seals</b>					
Preformed ball seal	14	1	0,030		
Kit complete		1	0,070		