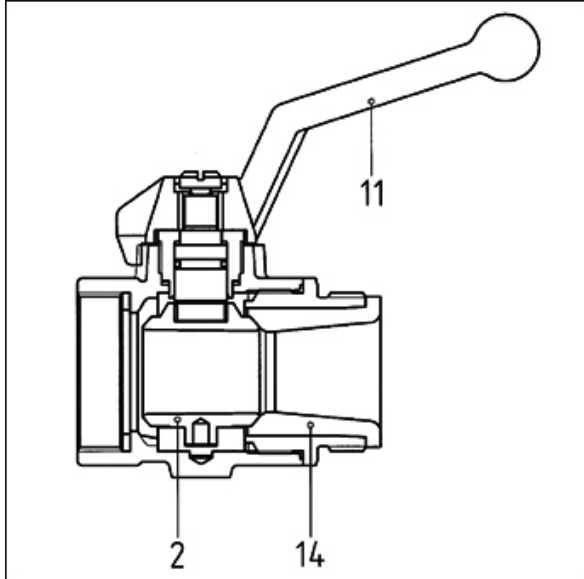


Style 6201

DN 32



Description	Size	Pos. No.	Pieces per bag	Weight (kg)	Ident.No.	Remarks
Individual components						
Ball		2	1	0,120		
Handle		11	1	0,130		SW 12 x 128
Seals						
Kit complete			5	0,060		