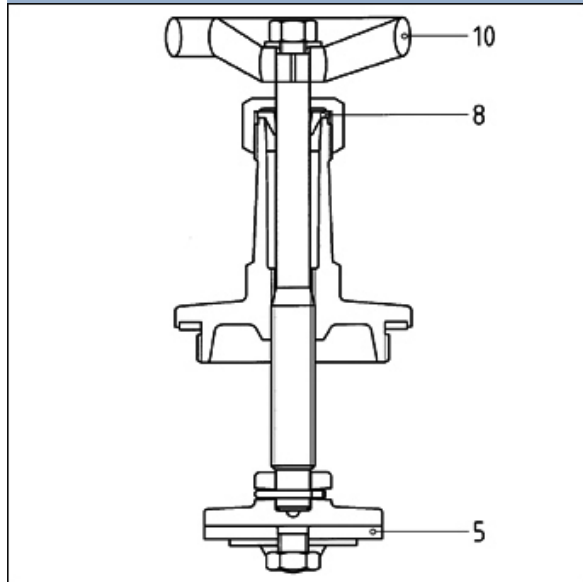


Style 2000 - 2100

Seals



Description Size	Pos. No.	Pieces per bag	Weight (kg)	Ident.No.	Remarks
For valve disc 12 x 54 x 5 mm	5	20	0,300	60219250	
2½" für Ventilteller 12 x 70 x 5 mm	5	20	0,500	60219350	
2 / 2½" für Stopfbuchse	8	20	0,050	50096900	
Kit complete		10	0,220	40248900	
Kit complete		10	0,400	40248800	