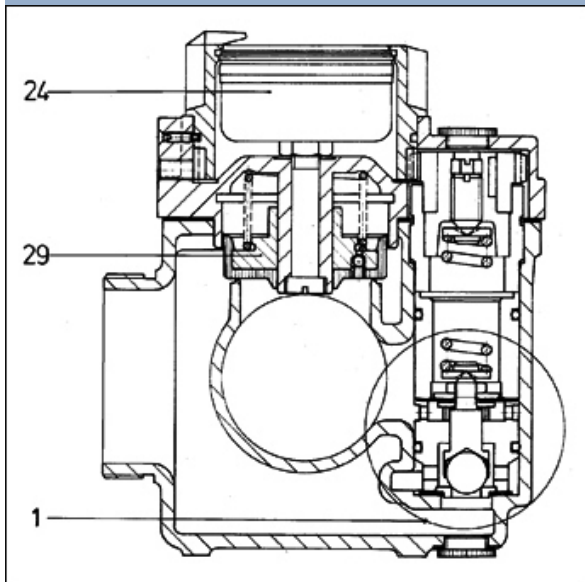


Style 3300 - 3310

Pressure relief valves



Description	Size	Pcs. No.	Pieces per bag	Weight (kg)	Ident.No.	Remarks
Individual components						
Piston		29	2	0,165		
Pilot valve		1	1	0,200		
Gauge		24	1	0,165		
Seals						
Kit complete			2	0,200		