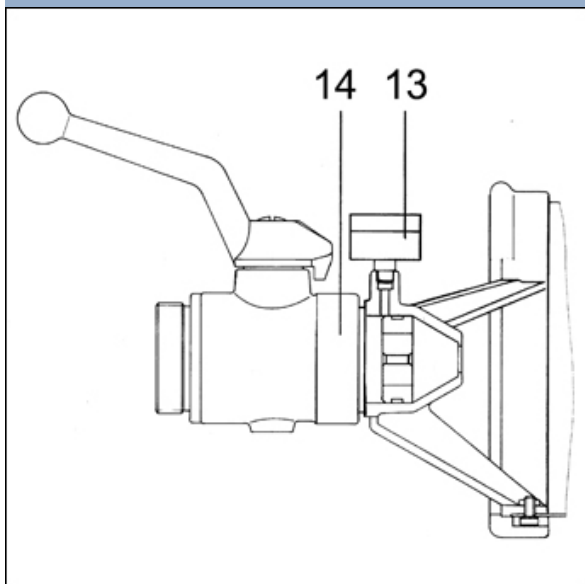


Style 3600 - 3761

## Foam nozzles



Description Size	Pos. No.	Pieces per bag	Weight (kg)	Ident-No.	Remarks
<b>Individual components</b>					
Gauge G1/8 BSP M., D 16 bar	13	1	0,090		
Ball valve ND 32, 2 BSP M. - F. 2	14	1	0,800		
Foam container with cover		1	0,195		for M 0,4, style 3791
Cover		4	0,105		for M 0,4, style 3791
Adapter C - 1" Sp. Thr.		1	0,235		for M 0,4, style 3791
<b>Seals</b>					
Kit complete for ball valve ND 32		5	0,055		