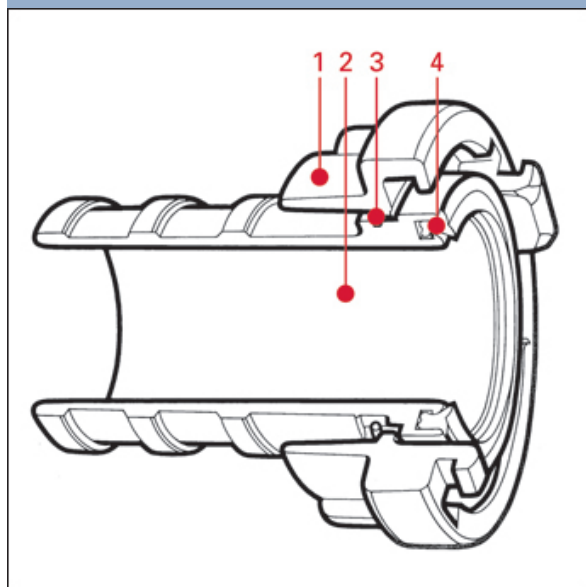


The hose coupling

consisting of:

1. Clamp fitting.
2. **Tail piece, rotatably mounted inside the clamp fitting. During coupling the clamp fitting is turned, the tail piece remains stationary, no rotation of seal on seal, no twisting of the hose.**
3. Circlip prevents the clamp fitting from sliding back on the hose.
4. Seal.

The hose coupling



consisting of:

1. Clamp fitting.
2. **Tail piece, rotatably mounted inside the clamp fitting. During coupling the clamp fitting is turned, the tail piece remains stationary, no rotation of seal on seal, no twisting of the hose.**
3. Circlip prevents the clamp fitting from sliding back on the hose.
4. Seal.