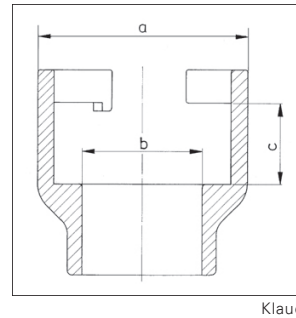
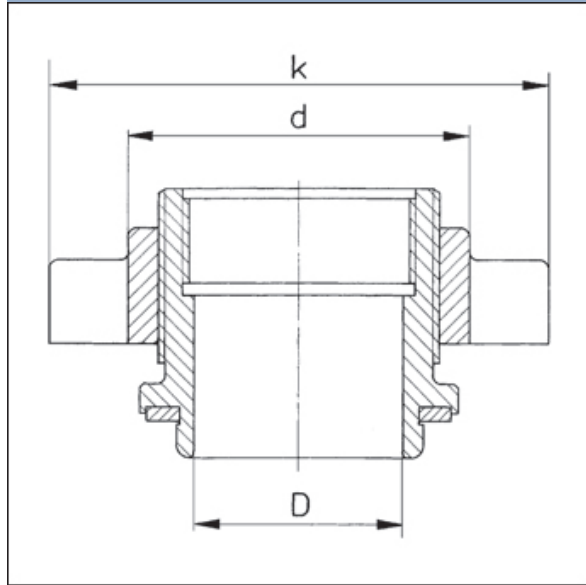


## Claws- and standpipe feet dimensions for underground hydrants



Nominal size	Connecting size	Gauge size	Claw diameter a	Seat diameter b	Height c	Foot dia. D	Claw nut outside diameter d	Lug distance k
ND 50	50	50	95	60	44	57	88	143
ND 80	80	70	110	75	50	74	102	150
ND 100	100	100	145	112	66	110	137	200